

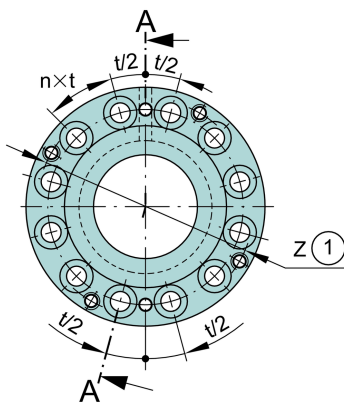
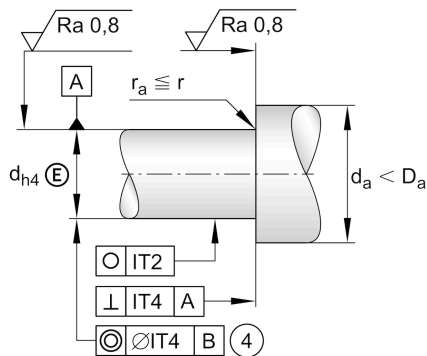
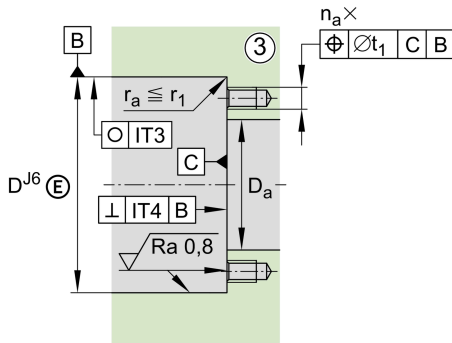
ZARF2575-TV

Needle roller/axial cylindrical roller bearing

Schaeffler ID:
0016821560000

Needle roller/axial cylindrical roller bearings ZARF, double direction, for screw mounting

Technical information

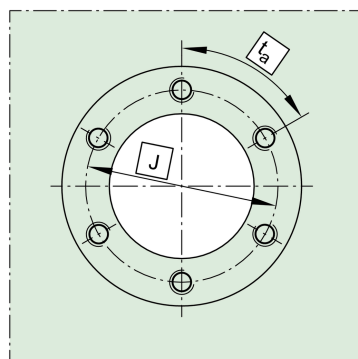
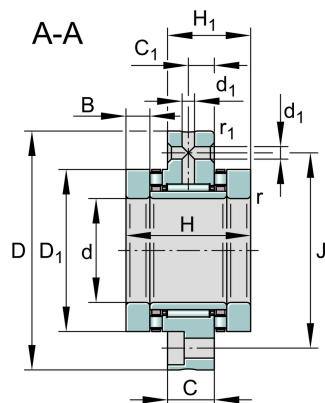


Main Dimensions & Performance Data

d	25 mm	Bore diameter
D	75 mm	Outside diameter
H	50 mm	Height
C_r	22,600 N	Basic dynamic load rating, radial
C_{0r}	36,000 N	Basic static load rating, radial
C_a	35,500 N	Basic dynamic load rating, axial
C_{0a}	86,000 N	Basic static load rating, axial
C_{ur}	5,200 N	Fatigue load limit, radial
C_{ua}	7,300 N	Fatigue load limit, axial
$n_{G \text{ Grease}}$	1,900 1/min	Limiting speed for grease lubrication
$n_{G \text{ Oil}}$	6,000 1/min	Limiting speed for oil lubrication
M_{RL}	0.55 Nm	Bearing friction torque
	0.701 kg	Weight

Dimensions

H_1	33 mm	Height outer ring over wave washer
c_{aL}	1,900 N/ μm	Rigidity axial
c_{kL}	350 Nm/mrad	Tilting stiffness
C	18 mm	Width, outer ring
	1 μm	Axial runout
C_1	10 mm	Distance to lubrication hole
D_1	47 mm	Rip diameter shaft washer
M_A	25 Nm	Tightening torque nut
	9,745 N	Preload force axial
B	10 mm	Width, inner ring
r_{min}	0.3 mm	Minimum chamfer dimension
$r_{1 \text{ min}}$	0.6 mm	Minimum chamfer dimension
d_1	3.2 mm	Diameter lubrication hole
J	58 mm	Pitch circle diameter (holes)
$n \times t$	45 °	Split
t_1	0.1 mm	Position bore in the housing



Mounting dimensions

$D_{a \max}$	48 mm	Maximum diameter of housing shoulder
$d_{a \min}$	39 mm	Minimum diameter shaft shoulder
	ZMA25/45	Locknut 1
	AM25	Locknut 2
n	8	Number (screwing holes)
	M6	Screw size
M_M	0.989 kg * cm ²	Mass moment of inertia
n	8	Number of screws
na x ta	45 °	Division (screwing holes)